

STELLAR BLAST 250 M4 0,55kW (509121050)

GENERAL DATA



UP-BLAST TRANSMISSION VERTICAL DISCHARGE ROOF FAN MADE OF ALUMINUM

CONSTRUCTIVE FEATURES

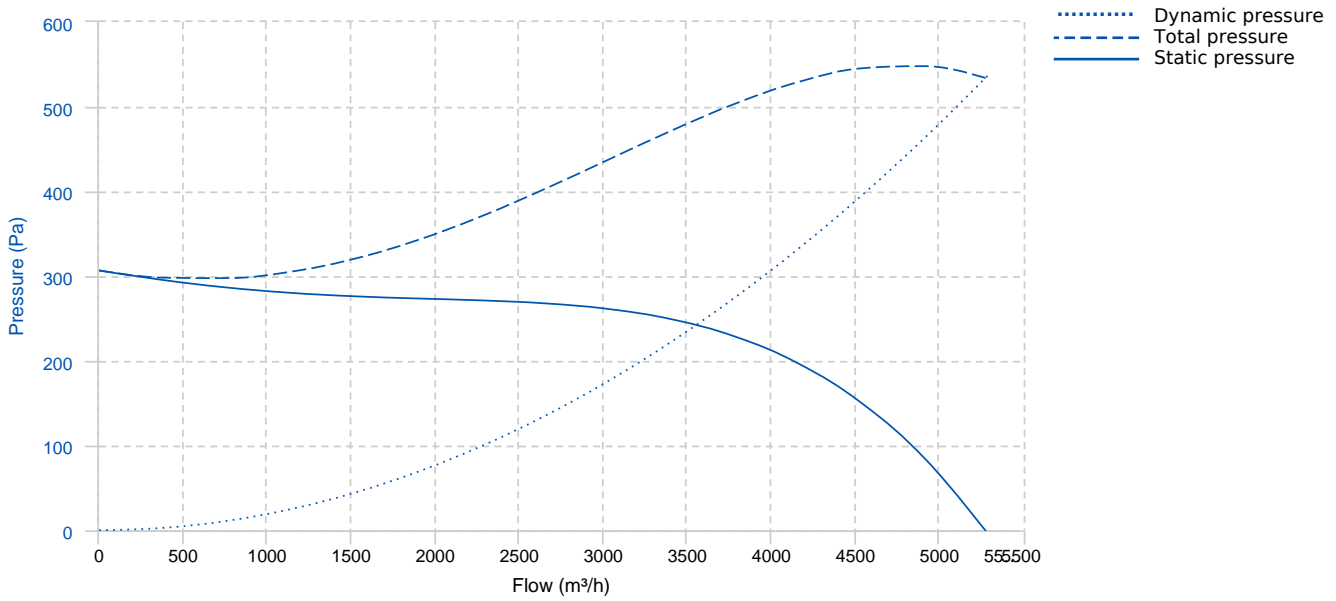
- Up-Blast exhaust fan made entirely of aluminum that guarantees excellent corrosion resistance and minimum weight.
- Oversized Belt & Pulley Transmission (150% of the installed power). Oil and Static resistant belts.
- Bearings 100% factory tested and designed specifically for air movement applications with an L10 rating of 50,000 hours.
- Anti-vibration blocks reduce motion and noise transfer between transmission system and fan housing.
- High-performance aluminum built backward inclined impeller with self-cleaning system to minimize noise and vibrations.
- Q6.3 grade, statically and dynamically balanced fan for long life and quiet operation.
- Specially designed housing for rain protection. Protective grille to prevent entry of objects.
- Drain tube for easy removal of fluids (water and grease).
- Coated motor cable to prevent overheating and ensure long motor life.
- Standardized squirrel cage asynchronous motor with IP-54 protection and class F insulation. Standard voltages 230V 50Hz single-phase and three-phase motors.
- Inox bucket for grease collection, FAT TRAP, available for installation after the drain pipe (as accessori)

APPLICATIONS

Designed for deck or roof mounting, vertical discharge, indicated for:

- Professional kitchens.
- Smoke extraction.
- Cinemas.
- Air renewal in all types of buildings and industries.
- Maximum continuous working temperature: 150°C(fluid).
- Maximum ambient temperature: 50°C.

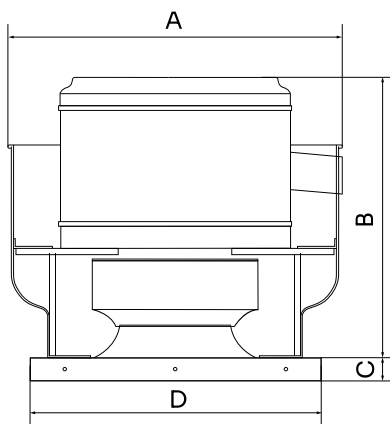
PERFORMANCE CURVE



TECHNICAL DATA

Fan							
RPM	1460	Approx. weight	51 kg	Max. Flow	5300 m³/h		
Motor							
Power	0.5500000000000004 kW	RPM	1460rpm	Capacitor	15mF	I max. (230V)	3 A
Size	80	Approx. weight	9.8 kg	Efficiency (%)	64 %	FP	0.96

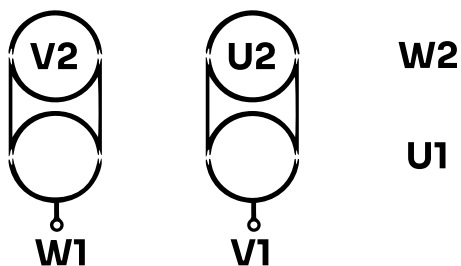
DIMENSIONS



Dimensions (mm)

A	725	B	607	C	50.8	D	630
---	-----	---	-----	---	------	---	-----

WIRING DIAGRAM



1 ph / 220V

ACCESSORIES



SAFETY SWITCH
INT 25 3P A
REF: INT253PA



STAINLESS STEEL GREASE BOX FOR RESTAURANT EXHAUST FAN FAT TRAP
REF: 509129000

SPARE PARTS

	Code	Model	Qty
1	509121000SP01	MOTOR STELLAR BLAST 250 (B3)	x1
1	731073201	BELT SPAX 732	x1
1	732111801	PULLEY POLEA SPA118-1	x1
1	733161019	TAPER 1610D19	x1